

MID-SIZE SERIES

Rough Terrain Scissor Lifts

Specifications	SJ 7127	SJ 7135
A Work Height	10,2 m	12,7 m
B Raised Platform Height	8,2 m	10,7 m
C Lowered Platform Height	1,5 m	1,7 m
D Overall Width	1,8 m	1,8 m
E Overall Length	3,3 m	3,3 m
F Stowed Height (Rails Up)	2,7 m	2,9 m
G Stowed Height (Rails Down)	2,0 m	2,1 m
H Platform Width (Inside Dimension)	1,6 m	1,6 m
I Platform Length (Inside Dimension)	3,0 m	3,0 m
Deck Extension	1,4 m	1,4 m
Ground Clearance	0,2 m	0,2 m
Wheelbase	2,4 m	2,4 m
Weight	4000 kg	4287 kg
Gradeability	30%	30%
Turning Radius (Inside)	2,8 m	2,8 m
Turning Radius (Outside)	5,3 m	5,3 m
Lift Time (With Rated Load)	43 sec	41 sec
Drive Speed (Stowed)	4,8 km/h	4,8 km/h
Drive Speed (Raised)	0,5 km/h	0,5 km/h
Maximum Drive Height	Full Height	Full Height
Capacity (Overall)	681 kg	454 kg
Maximum # of Persons	5	4

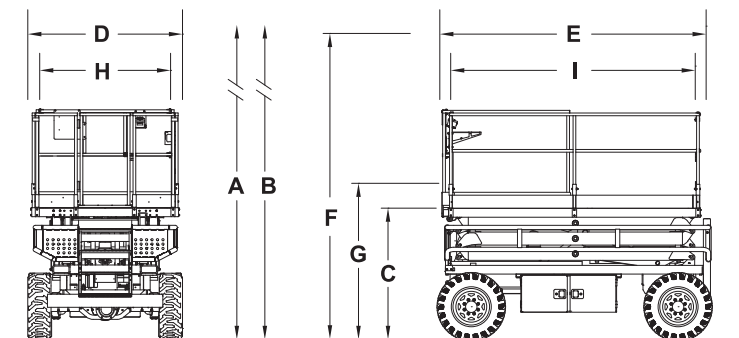
STANDARD FEATURES

- Drivable at full height
- Axle based 4WD
- “No Spin” rear differential and limited slip front differential
- Disc brake system on rear axle
- 1,4 m roll out extension deck
- 29hp Kubota Diesel engine on roll out tray
- Analog control system
- Colour coded and numbered wiring system
- 30% Gradeability
- Grip lug, foam-filled tyres
- Wiring for AC outlet on platform
- Tilt alarm with drive & lift cut-out
- Overload sensing system
- Lowering warning system
- Flashing light
- Operator horn
- Hinged railing system
- Full height spring hinged gate at rear
- Lanyard attachment points
- Scissor guards
- Tie down/lift lugs

OPTIONS†

- 1,4 m powered extension deck
- Diesel scrubber
- Independent/auto leveling outriggers
- Shop airline to platform
- 3.5kW hydraulic generator
- Non-marking grip lug foam-filled tyres
- All motion audible alarm

† Capacities, and machine weights may differ when options are added



Skyjack UK

Unit 1, Maes-y-Clawdd
Maesbury Road Industrial Estate
Oswestry, Shropshire, SY10 8NN
Tel: +44 1691 676235
Fax: +44 1691 676239
Email: info@skyjackeurope.co.uk

www.skyjack.com

Skyjack AB (Sweden)

Marieholmsgatan 2
415 02 Göteborg
Sweden
Tel: +46 31212245
Fax: +46 31212066

Skyjack SAS (France)

Lieudit Les Pretes
22 bis rue de l'avenir
38150 Chanas France
Tel: +33 474 20 30 20
Fax: +33 474 20 58 93

Skyjack Hebebühnen Gmbh (Germany)

Wullener Feld 27
D-58454 Witten
Tel: +49 2302 2026909
Fax: +49 2302 2025671

This brochure is for illustrative purpose only and based on the latest information at the time of printing. Skyjack Inc. reserves the right to make changes at any time, without notice, to specifications, standard and optional equipment. Consult the Operating Maintenance and Parts Manuals for proper procedures. CE marked work platforms are in conformance to Machinery Directive 2006/42/EC.