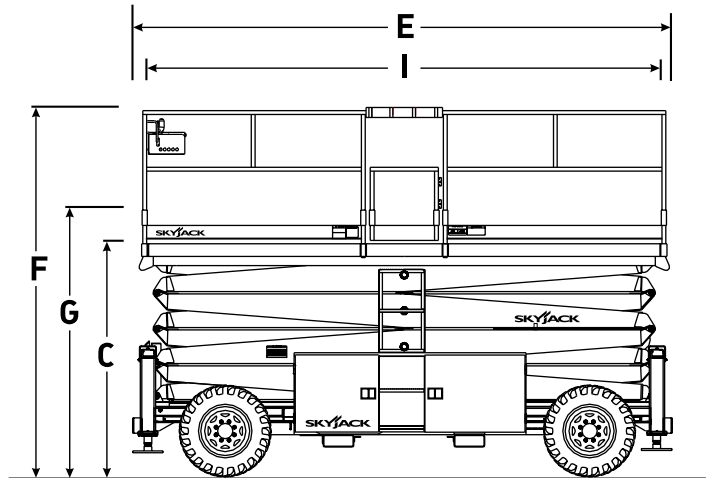
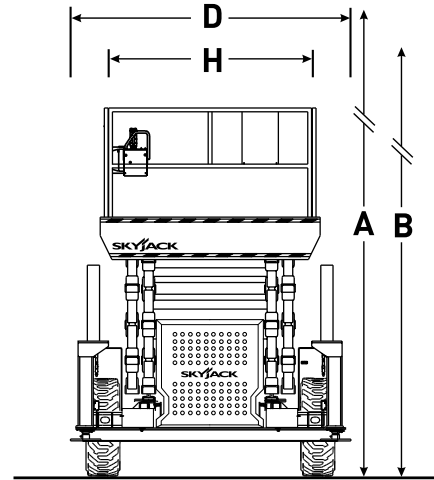


SJ9250 RT ROUGH TERRAIN SCISSOR

Dimensions	SJ9250 RT
A Work Height	56' (17.07 m)
B Raised Platform Height	50' (15.24 m)
C Lowered Platform Height	79" (2.01 m)
D Overall Width	92" (2.34 m)
E Overall Length	176" (4.47 m)
F Stowed Height (Rails Up)	124.5" (3.17 m)
G Stowed Height (Rails Down)	90" (2.29 m)
H Platform Width (Inside Dimension)	74" (1.88 m)
I Platform Length (Inside Dimension)	168" (4.27 m)
Specifications	SJ9250 RT
Extension Deck	5' (1.52 m)
Ground Clearance	8" (0.20 m)
Wheelbase	119" (3.02 m)
Weight	15,200 lbs (6,895 kg)
Gradeability	30%
Turning Radius (Inside)	210" (5.33 m)
Turning Radius (Outside)	301" (7.65 m)
Lift Time (With Rated Load)	67 sec
Lower time (With Rated Load)	72 sec
Drive Speed (Stowed)	2 mph (3.2 km/h)
Drive Speed (Raised)	0.6 mph (1 km/h)
Maximum Drive Height	30' (9.14 m)
Capacity (Overall)	1,500 lbs (680 kg)
Local Floor Load (With Rated Load)	146 psi (1006 kPa)
Overall Floor Load (With Rated Load)	204 psf (10 kPa)
Maximum # of Persons	5
Tire Type	Air Filled
Tire Size	10 x 16.5



Model	Capacity With 1 Extension Deck*		Capacity With 2 Extension Decks*		
	Main	Front Ext.	Main	Front Ext.	Rear Ext.
SJ9250 RT	1,000 lbs (454 kg)	500 lbs (227 kg)	500 lbs (227 kg)	500 lbs (227 kg)	500 lbs (227 kg)

Skyjack Head Office
 55 Campbell Rd. Guelph, ON Canada N1H 1B9
 Sales Inquiries: 1-877-755-4387 (1-877-SJLIFTS)
 Main Switchboard: 1-800-265-2738
 Phone: 519-837-0888
 Fax: 519-837-8104
 Email: skyjack@skyjack.com
 www.skyjack.com

This brochure is for illustrative purpose only and based on the latest information at the time of printing. Skyjack Inc. reserves the right to make changes at any time, without notice, to specifications, standard and optional equipment. Consult the Operating Maintenance and Parts Manuals for proper procedures. Work platforms have been tested to comply with ANSI and CSA standards as interpreted by Skyjack Inc.

