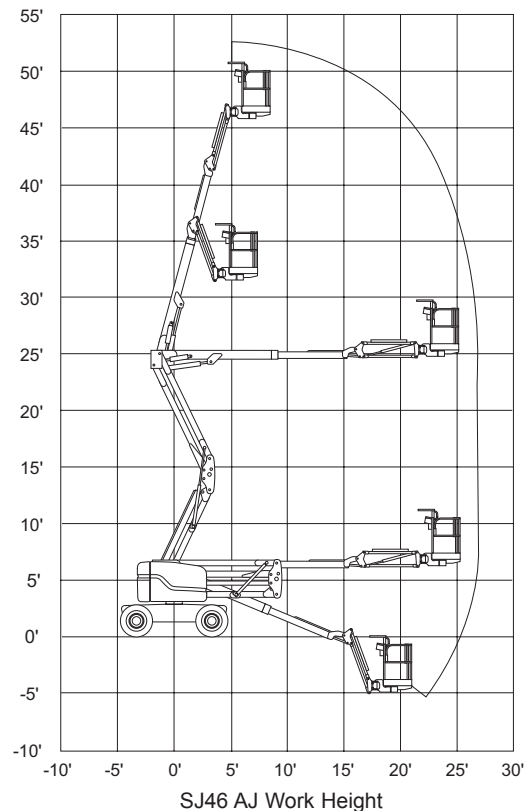
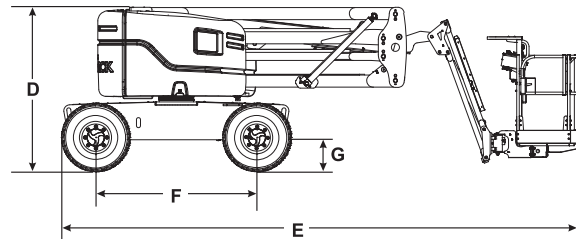
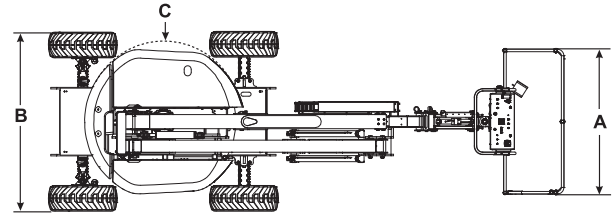


SJ46 AJ ARTICULATING BOOM

Dimensions	SJ46 AJ
Work Height	52'3" (15.93 m)
Platform Height	46'3" (14.10 m)
Horizontal Reach	24'9" (7.54 m)
Up and Over Height	24'5" (7.45 m)
A Platform Size	30" x 72" (0.76 x 1.83 m)
B Stowed Width	90" (2.29 m)
C Tailswing	Zero
D Stowed Height	82" (2.06 m)
E Stowed Length	20' 10" (6.35 m)
F Wheelbase	80" (2.03 m)
G Ground Clearance	16" (0.39 m)
Specifications	SJ46 AJ
Rotation	355° NC
Platform Rotation	170°
Jib Length	5' (1.52 m)
Jib Range +/-	+70° / -75°
Weight	13,300 lbs (6,033 kg)
Gradeability	45%
Turning Radius (Inside)	98" (2.49 m)
Turning Radius (Outside)	178" (4.52 m)
Axle Oscillation	5" (12.70 cm)
Drive Speed (High speed)	4.8 mph (7.7 km/h)
Capacity	500 lbs (227 kg)
Local Floor Load (With Rated Load)	115 psi (793 kPa)
Overall Floor Load (With Rated Load)	200 psf (9.58 kPa)
Maximum # of Persons	2
Tire Type	Air Filled
Tire Size	12 x 16.5
Diesel Engine	48 HP
Dual Fuel Engine	61 HP
Fuel Tank Capacity	17 gallon (64 L)
Hydraulic Reservoir	24 gallon (91 L)



Skyjack Head Office

55 Campbell Rd. Guelph, ON Canada N1H 1B9
 Sales Inquiries: 1-877-755-4387 (1-877-SJLIFTS)
 Main Switchboard: 1-800-265-2738
 Phone: 519-837-0888
 Fax: 519-837-8104
 Email: skyjack@skyjack.com
 www.skyjack.com

This brochure is for illustrative purpose only and based on the latest information at the time of printing. Skyjack Inc. reserves the right to make changes at any time, without notice, to specifications, standard and optional equipment. Consult the Operating Maintenance and Parts Manuals for proper procedures. Work platforms have been tested to comply with ANSI and CSA standards as interpreted by Skyjack Inc.

