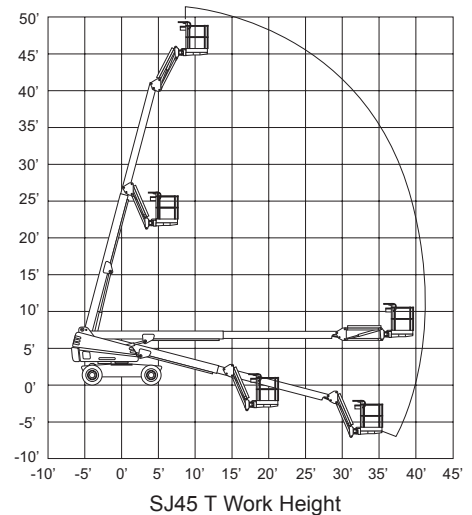
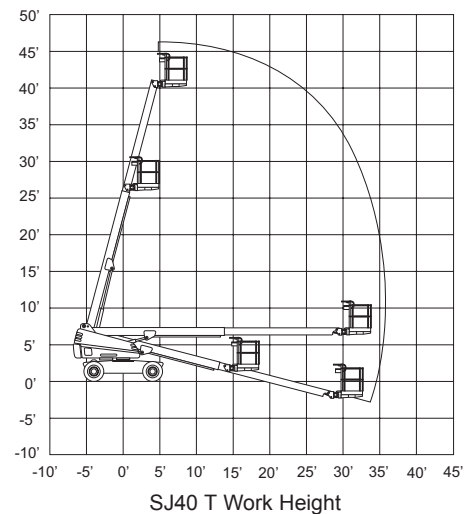
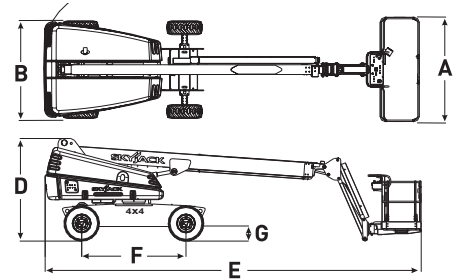


# SJ40/45 T TELESCOPIC BOOMS

Dimensions	SJ40 T	SJ45 T
Work Height	46'7" (14.20 m)	51'2" (15.60 m)
Platform Height	40'7" (12.37 m)	45'2" (13.77 m)
Horizontal Reach	34' (10.36 m)	39'9" (12.12 m)
<b>A</b> Platform Size	36" x 96" (0.91 x 2.44 m)	36" x 96" (0.91 x 2.44 m)
<b>B</b> Stowed Width	90" (2.29 m)	90" (2.29 m)
<b>C</b> Tailswing	37" (0.94 m)	37" (0.94 m)
<b>D</b> Stowed Height	94" (2.39 m)	94" (2.39 m)
<b>E</b> Stowed Length	25'5" (7.74 m)	28'10" (8.79 m)
<b>F</b> Wheelbase	96" (2.44 m)	96" (2.44 m)
<b>G</b> Ground Clearance	11" (0.28 m)	11" (0.28 m)

Specifications	SJ40 T	SJ45 T
Rotation	360° Continuous	
Platform Rotation	170°	170°
Jib Length	-	5' (1.5 m)
Jib Range +/-	-	+65° / -60°
Weight	13,960 lbs (6,332 kg)	14,830 lbs (6,727 kg)
Gradeability	50%	50%
Turning Radius (Inside)	84" (2.13 m)	84" (2.13 m)
Turning Radius (Outside)	198" (5.03 m)	198" (5.03 m)
Axle Oscillation	5" (12.70 cm)	5" (12.70 cm)
Drive Speed (High speed)	4.5 mph (7.2 km/h)	4.5 mph (7.2 km/h)
Capacity	650 lbs (295 kg)	500 lbs (227 kg)
Local Floor Load ( With Rated Load)	130 psi (896 kPa)	135 psi (931 kPa)
Overall Floor Load (With Rated Load)	193 psf (9.24 kPa)	200 psf (9.58 kPa)
Maximum # of Persons	2	2
Tire Type	Air Filled	Air Filled
Tire Size	12 x 16.5	12 x 16.5
Diesel Engine	48 HP	
Dual Fuel Engine	61 HP	
Fuel Tank Capacity	45 gallon (170 L)	
Hydraulic Reservoir	59 gallon (223 L)	



**Skyjack Head Office**  
 55 Campbell Rd. Guelph, ON Canada N1H 1B9  
 Sales Inquiries: 1-877-755-4387 (1-877-SJLIFTS)  
 Main Switchboard: 1-800-265-2738  
 Phone: 519-837-0888  
 Fax: 519-837-8104  
 Email: skyjack@skyjack.com  
 www.skyjack.com

This brochure is for illustrative purpose only and based on the latest information at the time of printing. Skyjack Inc. reserves the right to make changes at any time, without notice, to specifications, standard and optional equipment. Consult the Operating Maintenance and Parts Manuals for proper procedures. Work platforms have been tested to comply with ANSI and CSA standards as interpreted by Skyjack Inc.

