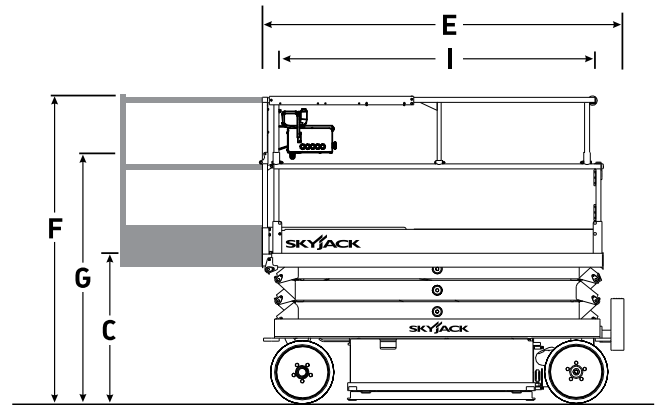
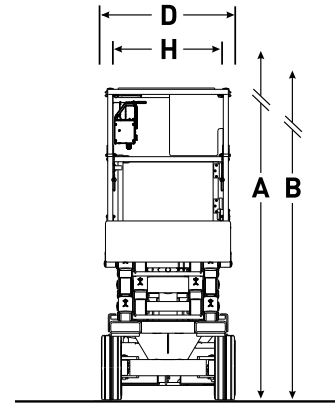


SJIII 3220/26 ELECTRIC SCISSOR LIFTS

Dimensions	SJIII 3220	SJIII 3226
A Work Height	8.10 m	9.92 m
B Raised Platform Height	6.10 m	7.92 m
C Lowered Platform Height	0.97 m	1.14 m
D Overall Width	0.84 m	0.84 m
E Overall Length	2.32 m	2.32 m
F Stowed Height (Rails Up)	1.97 m	2.15 m
G Stowed Height (Rails Down)	1.73 m	1.91 m
H Platform Width (Inside Dimension)	0.71 m	0.71 m
I Platform Length (Inside Dimension)	2.13 m	2.13 m
Specifications	SJIII 3220	SJIII 3226
Extension Deck (Roll Out)	0.91 m	0.91 m
Ground Clearance (Stowed)	8.89 cm	8.89 cm
Ground Clearance (Raised)	1.90 cm	1.90 cm
Wheelbase	1.75 m	1.75 m
Weight	1,594 kg	1,890 kg
Gradeability	30%	30%
Turning Radius (Inside)	1.27 m	1.27 m
Turning Radius (Outside)	2.74 m	2.74 m
Lift Time (With Rated Load)	33 sec	56 sec
Lower time (With Rated Load)	29 sec	42 sec
Drive Speed (Stowed)	3.2 km/h	3.2 km/h
Drive Speed (Raised)	1.1 km/h	1.1 km/h
Maximum Drive Height	Full Height	Full Height
Capacity (Overall)	408 kg	227 kg
Distributed Capacity (Main Platform)	272 kg	114 kg
Distributed Capacity (Extension Deck)	136 kg	113 kg
Local Floor Load (With Rated Load)	897 kPa	897 kPa
Overall Floor Load (With Rated Load)	12 kPa	12 kPa
Maximum # of Persons (indoor/outdoor)	2/0	2/0
Tyre Type	Solid, N/M	Solid, N/M
Tyre Size	16 x 5 x 12	16 x 5 x 12



Skyjack UK
Unit 1, Maes-y-Clawdd
Maesbury Road Industrial Estate
Oswestry, Shropshire, SY10 8NN
Tel: +44 1691 676235
Fax: +44 1691 676239
Email: info@skyjackeurope.co.uk

Skyjack SAS (France)
74 Rue Sibert
F-42400 Saint Chamond
France
Tel: +33 (0) 4 78 73 53 32
Tel: +33 (0) 4 78 73 05 68
Fax: +33 (0) 4 78 56 52 42

Skyjack Hebebühnen GmbH (Germany)
Därmannsbusch 2a
D-58456 Witten
Tel: +49 (0) 2302 20 26 909
Fax: +49 (0) 2302 20 25 671

Skyjack AB (Sweden)
Agnesbergsvägen 28
424 38 Agnesberg
Sweden
Tel: +46 (0) 31 21 22 45
Fax: +46 (0) 31 787 65 10

www.skyjack.com