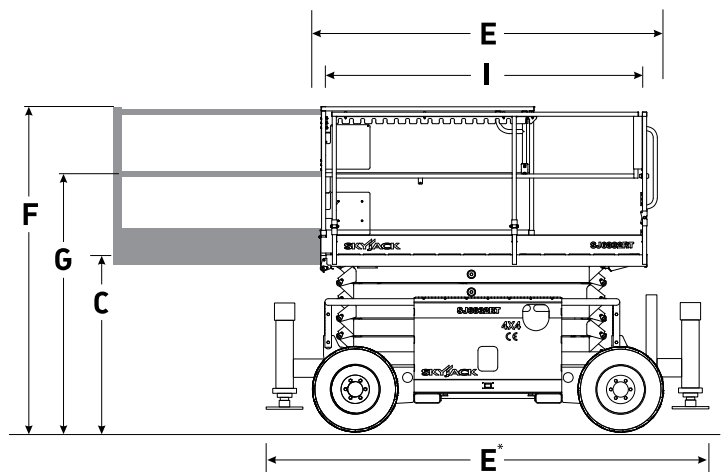
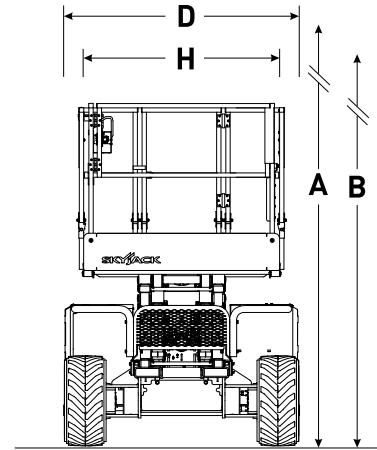


SJ6832 RTE ELECTRIC ROUGH TERRAIN SCISSORS

Dimensions	SJ6832 RTE
A Work Height	11.75 m
B Raised Platform Height	9.75 m
C Lowered Platform Height	1.37 m
D Overall Width	1.76 m
E Overall Length	2.72 m (*3.35 m)
F Stowed Height (Rails Up)	2.51 m
G Stowed Height (Rails Down)	1.75 m
H Platform Width (Inside Dimension)	1.42 m
I Platform Length (Inside Dimension)	2.44 m
Specifications	SJ6832 RTE
Extension Deck	1.52 m
Ground Clearance	0.20 m
Wheelbase	2.04 m
Weight	3778 kg (*3844 kg)
Gradeability	45%
Turning Radius (Inside)	1.52 m
Turning Radius (Outside)	3.96 m
Lift Time (With Rated Load)	39 sec
Lower time (With Rated Load)	36 sec
Drive Speed (Stowed)	5.6 km/h
Drive Speed (Raised)	0.6 km/h
Maximum Drive Height	Full Height
Capacity (Overall)	454 kg
Distributed Capacity (Main Platform)	318 kg
Distributed Capacity (Extension Deck)	136 kg
Local Floor Load (With Rated Load)	1269 kPa
Overall Floor Load (With Rated Load)	13 kPa
Maximum # of Persons (indoor/outdoor)	4/4 (to 7.92m) 2 (to 9.75m)
Tyre Type	Foam Filled Non-Marking
Tyre Size	26 x 12



Skyjack UK
 Unit 1, Maes-y-Clawdd
 Maesbury Road Industrial Estate
 Oswestry, Shropshire, SY10 8NN
 Tel: +44 1691 676235
 Fax: +44 1691 676239
 Email: info@skyjackeurope.co.uk

Skyjack SAS (France)
 ZI Le Clairin
 69700 Saint Romain en Gier
 France
 Tel. +33 (0) 4 78 73 53 32
 Tel: +33 (0) 4 78 73 05 68
 Fax: +33 (0) 4 78 56 52 42

Skyjack Hebebühnen GmbH (Germany)
 Därmannsbusch 2a
 D-58456 Witten
 Tel: +49 (0) 2302 20 26 909
 Fax: +49 (0) 2302 20 25 671

Skyjack AB (Sweden)
 Agnesbergsvägen 28
 424 38 Agnesberg
 Sweden
 Tel: +46 (0) 31 21 22 45
 Fax: +46 (0) 31 787 65 10

www.skyjack.com